

ABHYUDAY BHARAT MEGA DEFENSE CLUSTER LLP.	<u>TYPE C WINDOW WIPER DESCRIPTION AND SPECIFICATION</u>	SOTR NO.	ABMDC/RFI/0101
		REV. NO.	Initial issue
		DATE	03/11/2021

The 'Type C' is a Heavy-Duty Straight-Line Wiper with an electric motor mounted internally. The wiper can be mounted either above or below the window. The motor can be positioned at either end simply by reversing the front cover of the wiper case.

All electric motors incorporate a worm reduction gearbox. Windings are to Class F insulation.

The DC motor option is suitable for single speed operation.

The AC 1-phase motor option is single speed operation.

The standard AC 3-phase motor option is for either 1 or 2 speed operation. The variable frequency AC 3-phase motor option is for 3 speed operation.

For protection it is recommended that the wiper system have fuses fitted. The fuses will not blow in normal conditions, however if the wiper is jammed, then the fuses are designed to blow before the motor is damaged. Each wiper requires its own fuse.

Spray nozzles & water connections

A fresh water supply can be plumbed directly to the wiper into a 6mm overall diameter compression fitting. On stroke lengths below 1015mm, 1 nozzle is fitted, above 1015mm, 2 nozzles are fitted at ¼ stroke + 137mm from either end. The installer needs to provide pressurised water supply and the interconnecting plumbing. When the wash option is installed, the maximum pressure for the system is 8 bar or 118 PSI and the minimum pressure for adequate spray reach is 1 bar or 15 PSI. Example flow rates for a single spray jet are shown below.

Water System Pressure And Flow Rates

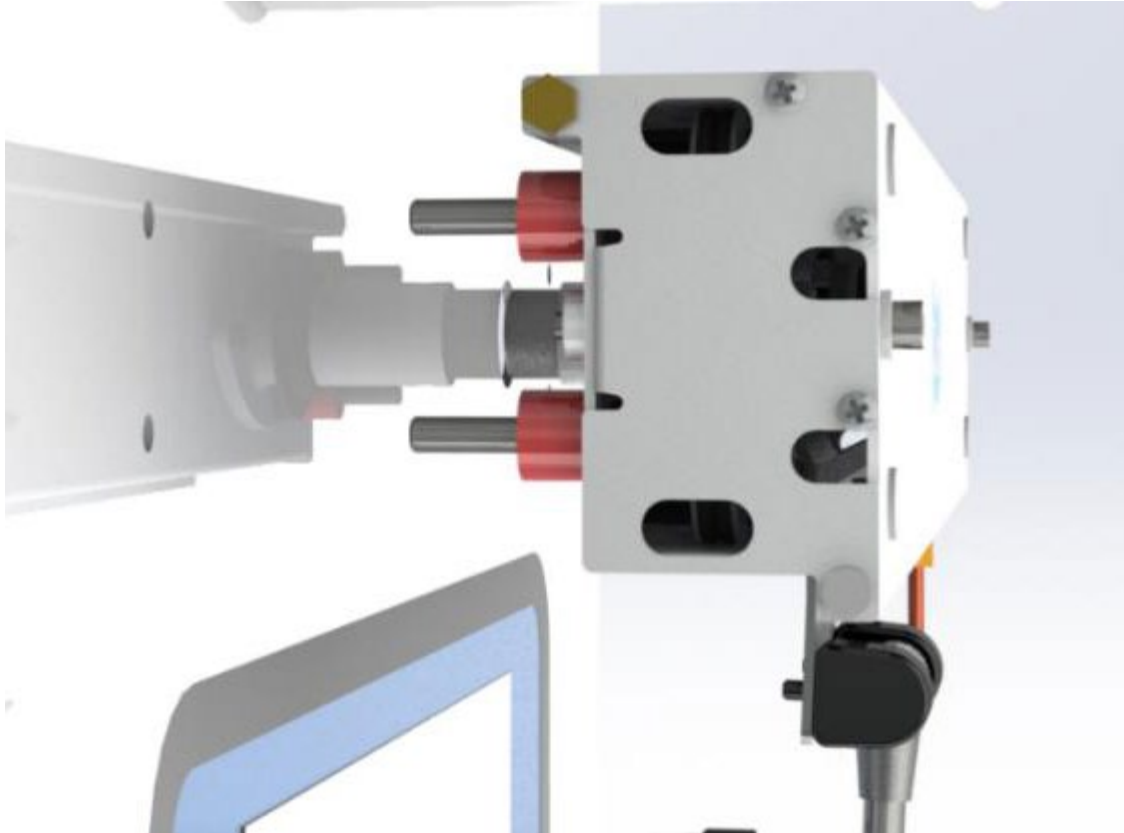
Pressure Flow rate

Bar	Psi	Litres/min	Gallons/min
1.0	15	0.95	0.20
1.5	22	1.20	0.25
2.0	29	1.40	0.30
3.0	44	1.75	0.40

De-icing Heaters

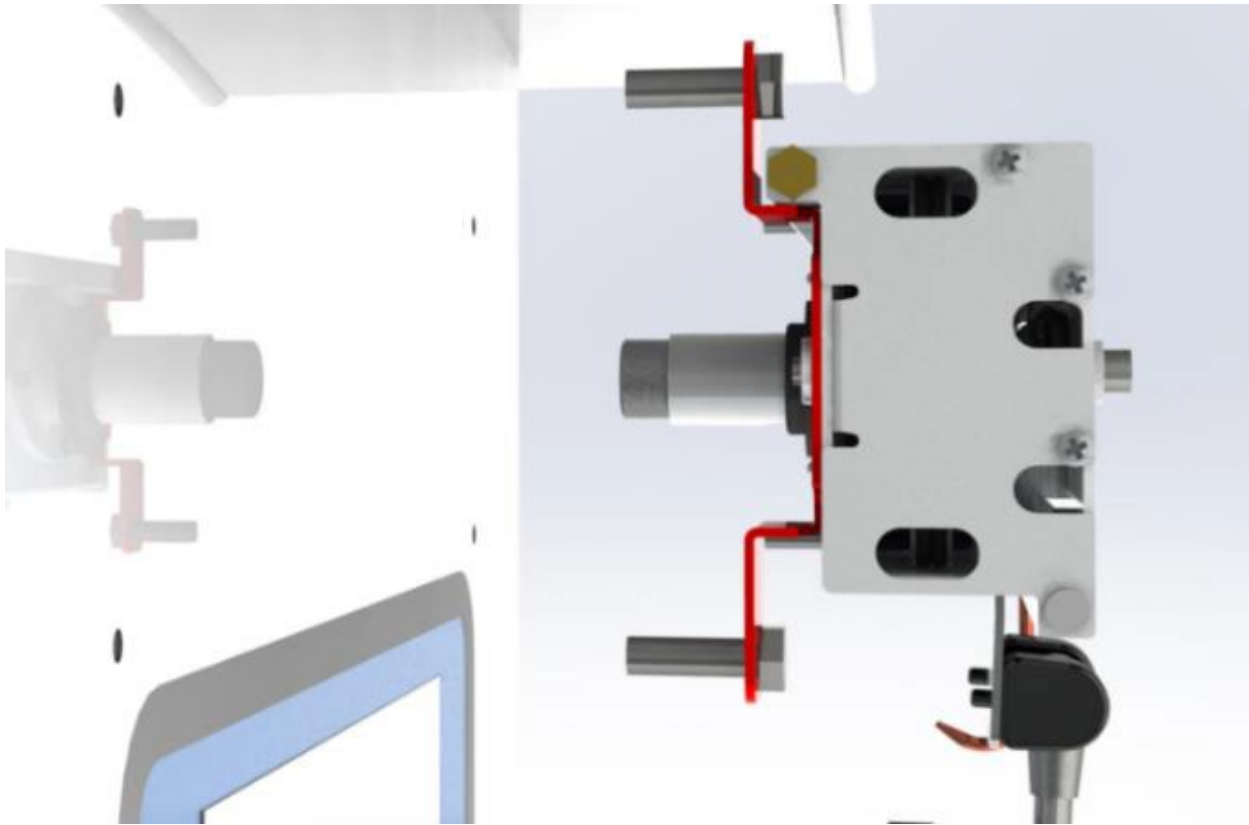
Optional de-icing heaters may be fitted inside the wiper case to ensure effective operation in cold conditions. Standard cable length is 2M.

ABHYUDAY BHARAT MEGA DEFENSE CLUSTER LLP.	<u>TYPE C WINDOW WIPER DESCRIPTION AND SPECIFICATION</u>	SOTR NO.	ABMDC/RFI/0101
		REV. NO.	Initial issue
		DATE	03/11/2021



Stud mounting

ABHYUDAY BHARAT MEGA DEFENSE CLUSTER LLP.	<u>TYPE C WINDOW WIPER DESCRIPTION AND SPECIFICATION</u>	SOTR NO.	ABMDC/RFI/0101
		REV. NO.	Initial issue
		DATE	03/11/2021



Bracket Mounting